

ZGR DVC SEPEC

OFFLINE UNINTERRUPTIBLE POWER SUPPLY

ZGR DVC SEPEC is guarantee of continuity of supply for critical industrial processes

ZGR DVC SEPEC industrial UPS range is equipped with high performance technology to reduce the effect of electrical disturbances that may affect industrial processes.

Its design allows eliminating variations in voltage and frequency as well as voltage sags and short interruptions for most critical industrial processes. ZGR DVC SEPEC guarantees the continuity of the power supply in all those processes in which the maximum reliability of the supply is a fundamental requirement.

Its internal architecture enables it to work together with emergency generation units ensuring the complete elimination of interruptions in the supply mains and avoiding voltage outages.



Applications



Characteristics

- High-efficiency emergency supply system > 99,5 %
- From 200 KVA to 800 KVA (scalable units)*
- Compatible with already installed protection systems
- Maximum robustness
- Integrable with existing supply guarantee systems: emergency generator units, gen sets, etc.
- Web interface for monitoring and control
- Touch control panel
- LED signalling for quick visualization of the status of the inverters and batteries
- Higher reliability, MTBF and life cycle
- Voltage impulse elimination system*
- DSP digital control system
- Autonomy longer than 5 minutes (depending on consumption)
- Advanced management system, battery verification and diagnostics
- High efficiency batteries with low charging time and 100 % recyclable
- Possibility of integrating a network analyser*
- Low energy consumption
- Does not introduce harmonics into the installation (upstream)
- Timed relay for emergency mode
- Capable of operating with regenerative loads (braker)*
- Battery cabinet air-conditioned*
- Security and reliability with minimum necessary investment and reduction of operating costs
- Improved insulation with zigzag transformer for neutral

* Optional

TECHNICAL SPECIFICATIONS

Model	ZGR DVC SEPEC 200	ZGR DVC SEPEC 400	ZGR DVC SEPEC 600	ZGR DVC SEPEC 800
-------	-------------------	-------------------	-------------------	-------------------

INPUT ELECTRICAL CHARACTERISTICS

Phases	3 phases + ground (neutral optional)
Nominal voltage	380 / 400 Vac ± 15 %
Frequency	50 / 60 Hz ± 10 %
Current harmonic distortion	Does not introduce

OUTPUT ELECTRICAL CHARACTERISTICS

Apparent power	200 kVA	400 kVA	600 kVA	800 kVA
Power factor	1 (normal mode), 0.8 (emergency mode)			
Phases	3 phases + ground (neutral optional)			
Nominal voltage	380 / 400 Vca ± 15 %			
Frequency	50 / 60 Hz ± 10 %			
Voltage harmonic distortion	< 1.5 % (in emergency)			
Waveform	Sine wave			
Inverter active redundancy	Inverters in parallel			
Power KVA / KW ⁽¹⁾	200 / 200	400 / 400	600 / 600	800 / 800

BATTERY

Battery type	Sealed lead VRLA
Batteries current ripple	0 A (permanent regime)
Service life diagnosis	Emergency cycle counter
Air conditioned battery cabinets	Optional

COMMUNICATIONS

Monitoring	Web, touch control panel, LED signalling post
Communications	Web Server, Modbus TCP/IP, SNMP, ModBus RTU (optional)

PROTECTIONS

Voltage impulses	Optional. Not degradable, performance threshold UNx1,1, Energy > 900 joules
Short-circuit protection	Yes
Current limitation	Yes
Overcharge	Yes
Static and manual Bypass	Yes (without zero-crossing)
Battery charger protection	Yes

OTHERS

Total efficiency	99.5 %			
Overcharge	120 % in permanent regime, 150 % during 10 seconds			
Range ambient temperature	IP21			
Cooling	Forced ventilation			
Operating temperature	0°C ~ +40°C			
Storage temperature	0°C ~ +85°C (excluding battery)			
Noise level	< 65 dB			
Operating altitude	< 1000 m			
Relative humidity	0 ~ 95 % (excluding battery)			
Approx. Weight	650 kg	950 kg	1345 kg	1575 kg

STANDARDS

Marks	CE
General directives	73/23/CEE-93/68/CEE, 2004/108/CEE

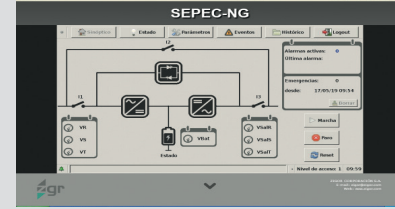
(1) Equipment only FP = 1, equipment with standard batteries FP = 0,8. For other FP of equipment-battery set consult

Other voltages / autonomies on demand
Dimensions and weight without braker. Consult dimensions and weight of cabinets with/without air conditioned
These specifications may change without notice

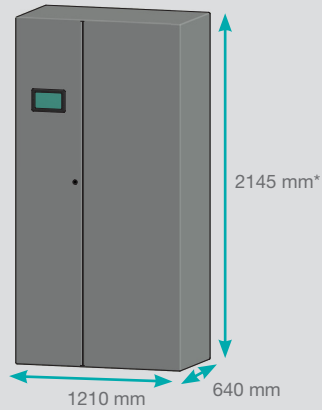
Connectivity and monitoring

Communication gateway integrated. It enables the communication via Web Server (http).

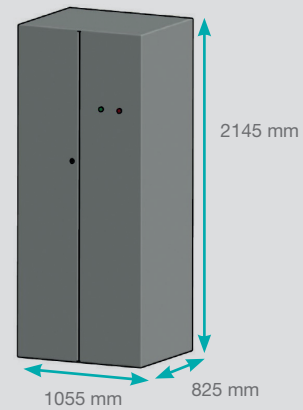
The Web Server allows the user to access the following data: status, measurements, configuration, alarms, control, network, equipment, etc. These same data are accessible directly from the touch control panel on the front of the device.



ZGR DVC SEPEC 200

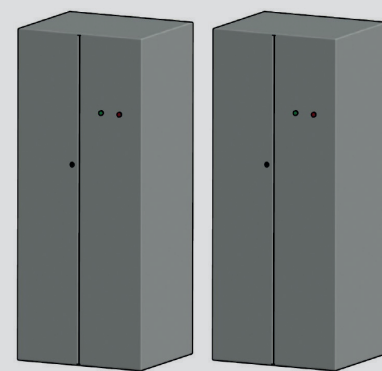
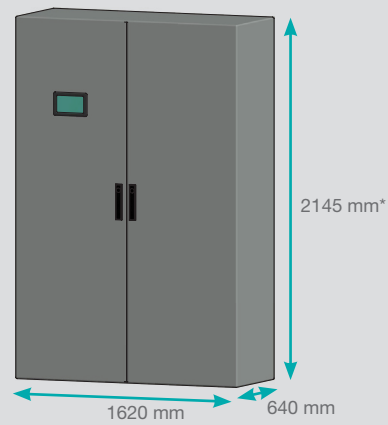


Battery configuration



Equipment with signalling post: 2.445 mm.
 Equipment with braker option: 2.555 mm.
 Dimensions for battery standard cabinets.
 They can be modified according to options included

ZGR DVC SEPEC 400



ZGR DVC SEPEC 600-800

